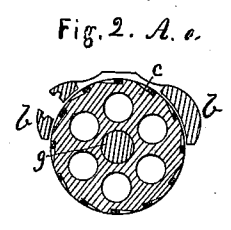
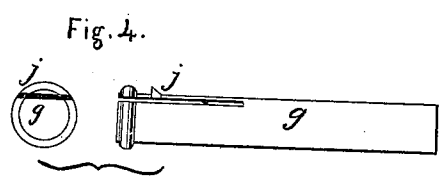
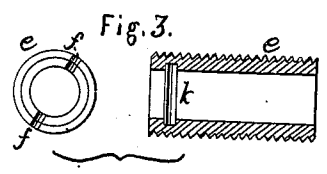
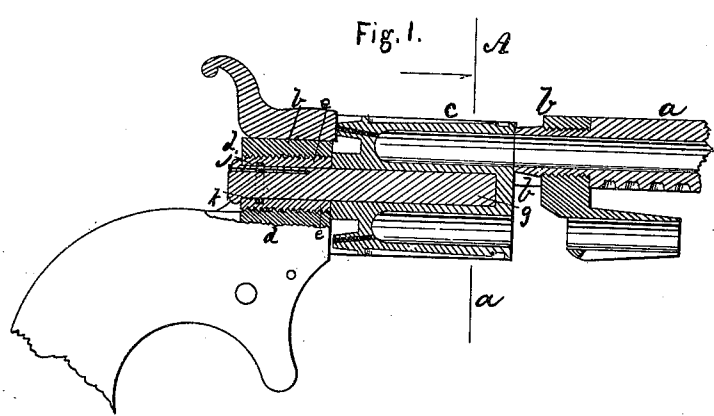


S. Colt.  
Revolver.

N<sup>o</sup> 18678.

Patented Nov. 24. 1857.



Witnesses.

*J. M. Stancliff*  
*E. W. Root*

Inventor.

*Sam. Colt.*

# UNITED STATES PATENT OFFICE.

SAML. COLT, OF HARTFORD, CONNECTICUT.

IMPROVEMENT IN MANY-CHAMBERED ROTATING-BREECH FIRE-ARMS.

Specification forming part of Letters Patent No. 18,678, dated November 24, 1857.

*To all whom it may concern:*

Be it known that I, SAMUEL COLT, of Hartford, in the State of Connecticut, have invented certain new and useful Improvements in Many-Chambered Rotating Breech Fire-Arms; and I do hereby declare that the following is a full, clear, and exact description thereof, reference being had to the accompanying drawings, making part of this specification, in which—

Figure 1 is a longitudinal section in the plane of the axis of the barrels; Fig. 2, a cross-section taken at the line A a of Fig. 1; Fig. 3, separate views of the adjusting-nut, and Fig. 4 separate views of the central pin on which the breech rotates. The two latter figures are on an enlarged scale.

The same letters indicate like parts in all the figures.

My invention consists in securing the rotating breech in place by a central pin inserted from behind through a hole in the shield-plate, so that the pin can be readily taken out and put in to remove the breech and replace it without the necessity of taking off the barrel, as was the case prior to my invention; and my said invention also consists in adjusting the front end of the rotating breech to the rear end of the barrel by means of a hollow screw tapped into a hole in the shield-plate, the central pin on which the breech rotates being fitted to and passing through the said screw, so that by the turning of the said screw, the end of which rests against the rotating breech and resists the recoil, the front face of the rotating breech can be adjusted to the rear end of the barrel with the greatest accuracy.

In the accompanying drawings, *a* represents the barrel, secured to the forward part of the metal frame *b*, in which the many-chambered breech *c* rotates. This frame is open at bottom, that the rotating breech may be put in and taken out. The rear end of this frame forms the shield-plate *d*, with a central hole in line with the bore of the rotating breech; and this hole is tapped to receive a screw, *e*, which passes entirely through the shield-plate and rests against the rear end of the rotating breech to adjust its forward end to the rear end of the barrel. The rear end of this screw

is nicked, as at *f*, to receive a screw-driver by which it can be turned for the purpose of adjustment. This screw is tubular, and to its bore is fitted the central pin, *g*, on which the breech rotates. The pin *g* passes nearly through the rotating breech, the central bore of which is closed in front to prevent fouling. The rear end of this pin is provided with a spring-latch, *j*, which enters a groove, *k*, in the bore of the adjusting-screw, to hold the pin in place when inserted. The rear end of the spring-catch, where it projects back of the adjusting-screw, is suitably formed to admit of readily liberating the catch when it is desired to take out the pin to remove the breech. By this means, after all the charges have been fired, the rotating breech can be taken out and another with the chambers charged substituted in less time than an ordinary single-barrel pistol or other arm can be loaded.

I am aware that in Letters Patent granted to Elijah Jacquith on the 12th day of July, 1838, the many-chambered rotating breech is described and represented as turning on and connected in place by what may be termed a "central pin" passing through a central bore; but in that case the parts cannot be solid, because the greater part of the rotating breech is placed above the upper surface of the barrel, and the pin can only be a segment of a hollow cylinder to admit of taking right, and for these and other reasons such a construction is not practically useful; but I do not, however, wish to be understood as claiming broadly the connection of a many-chambered rotating breech with the barrel and shield by means of an axle passing through the central bore thereof and inserted from the rear end.

What I do claim as my invention, and desire to secure by Letters Patent, is—

1. Securing the many-chambered rotating breech in place by a solid pin passing through the central bore thereof and fitted to a hole in the breech-plate behind, and in a line below the bore of the barrel, so as to be inserted from the rear end and there secured, that the said breech may be properly and conveniently inserted within a cavity in the surrounding metallic frame which connects the barrel with the shield-plate, to give the required strength and

support to resist the recoil, the main part of the said breech being thus placed below the barrel, by an arrangement substantially such as herein described.

2. The adjusting of the rotating breech to the rear end of the barrel by combining therewith, and with the central pin on which it turns,

a hollow screw tapped into the shield-plate and bearing against the rear end of the rotating breech, substantially as described.

SAM. COLT.

Witnesses:

M. STANCLIFF,  
E. K. ROOT.